



Try the Duff's Doorstopper Adjustable.

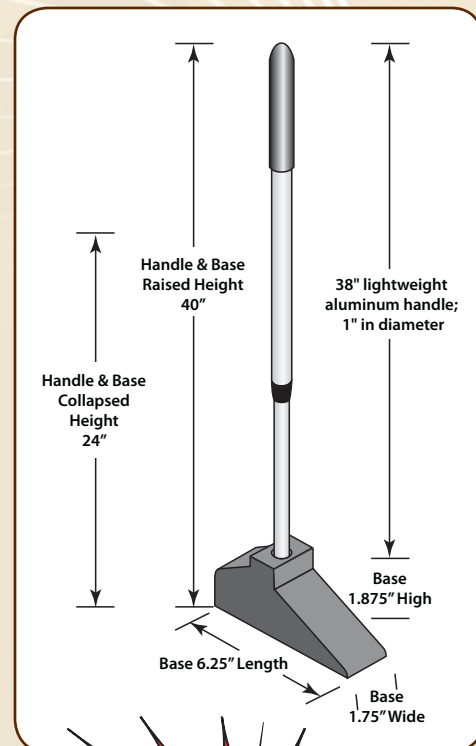
It's ergonomically superior to any similar product on the market and will standardize the way doors are propped open.

Benefits to Hospitality

- Save a back, save a door
- Provide a safer work environment
- Improve employee moral
- Enhance hotel's professional image with your guests
- Standardize the way people who clean will prop open doors

Design Features

- Complies to most interior door building codes
- Lightweight and safe to use, reduces stress on back & legs
- Handle is made of sturdy aluminum with a comfortable rubber grip
- Rubber base usable from either side



Duff's Doorstopper has 2 more models for various applications



TELESCOPING MAGNETIC HANDLE
Recommended when more than one door needs to be propped open



STRAIGHT HANDLE
Recommended for household use