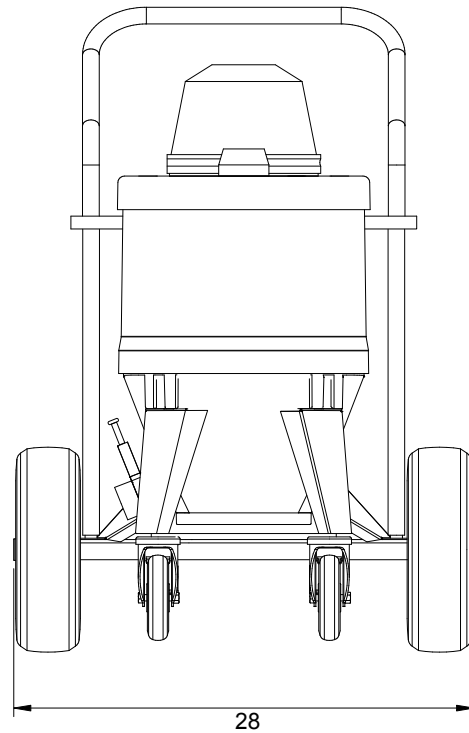
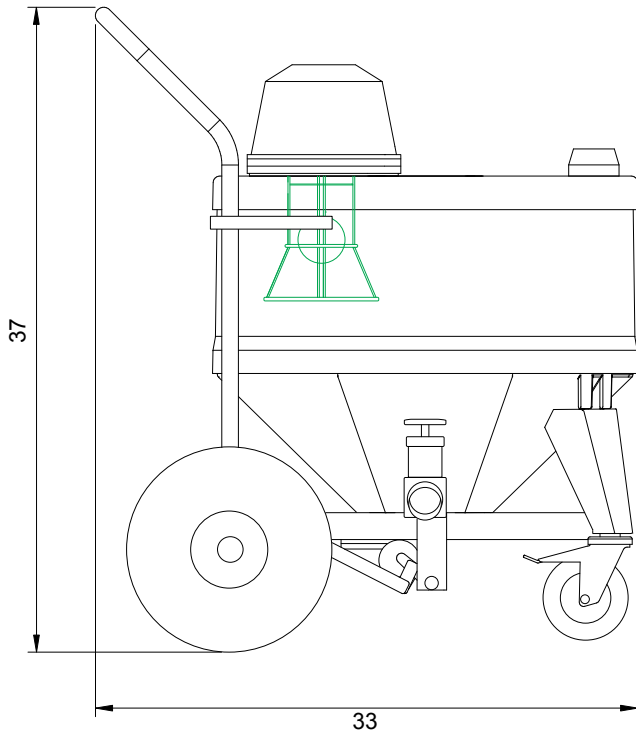


# Wet/Dry Vacuum SumpPro<sup>®</sup> WSP 2000



SUMP PRO SERIES



## WSP 2000 Standard Specifications

- 1.6 HP, (1) 1200 Watt Motor
- 120 Volt, Single Phase, 60 Hz, 12 Amps
- Standard "Acustek" Motor
- 15 Gallon Liquid Capacity
- 2" Manual Blast Gate for Liquid Discharge
- 8" Manual Slide Gate for Solids Discharge
- Positive Closure Float for Liquid Fill Shut Off
- 5" Front Swivel Casters with Brakes & 12" Rear Pneumatic Casters
- Compression Cast Composite Modular Housing



**Base Price<sup>1</sup>: WSP 2000 - Call for Pricing**

ADDER	DESCRIPTION
CC	240 Volt, Single Phase <sup>1</sup>
P	Return Pump, 38 Gal/Min, 1/4 HP, 1.5" Discharge, 1.5" x 10" Discharge Hose <sup>1</sup>
151510W	Accessory Package, 10' Vacuum Hose, Double Bend Adjustable Wand, 14" Floor Tool with Squeegee <sup>2</sup>

<sup>1</sup>SV, <sup>2</sup>ADD