

# Miller RA30-1 Reusable Roof Anchor

## Description

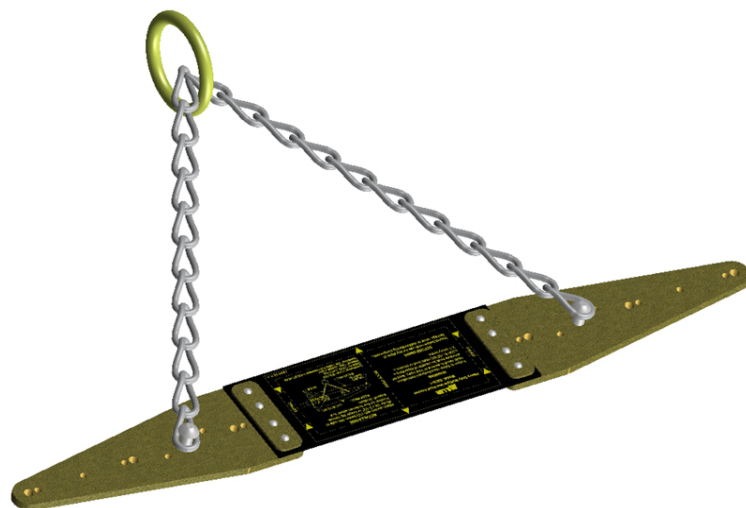
The RA30 Reusable Roof Anchor is used to provide temporary, reusable roof anchorage for residential and construction applications. The RA30 comes complete with twelve (12) 16d steel nails and six (6) 1/4" X 2 1/2" lag screws. (Either the 12 nails or the 6 screws must be used for installation.)

Note: Use nails in smaller diameter holes.

The RA30 can be bent over the peak of the trusses and nailed or screwed to the truss members. The truss members used should be capable of supporting a 5,000 lb. load or meet the requirements of OSHA 1926.502 – 2:1 safety factor.

## Materials

<b>Anchor Plates:</b>	1/4" thick, laser-cut, yellow-zinc plated steel
<b>Anchor Pins:</b>	Yellow-zinc plated steel
<b>O-Ring:</b>	3" O.D. Forged zinc plated steel
<b>Belting:</b>	3-ply nylon
<b>Chain:</b>	22-link (21") zinc plated steel
<b>Nails:</b>	16d steel (includes 12)
<b>Rivets:</b>	Copper
<b>Lag Screws:</b>	1/4" X 2 1/2" steel (includes 6)

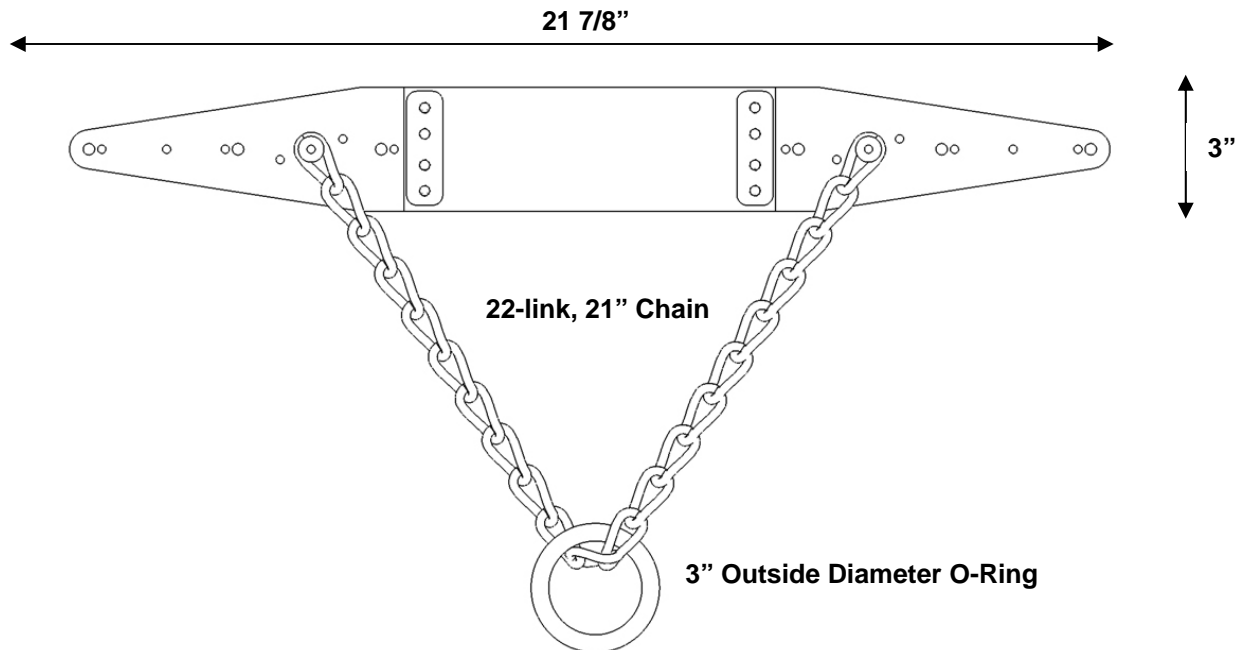


## Technical

<b>Weight:</b>	4 lbs. (1.81 kg)
<b>Max. Working Load:</b>	310 lbs (140.62 kg)
<b>Tensile Strength:</b>	5,000 lbs (22kN)

## Certification

Meets OSHA 1926.502 requirements



Toll Free 800.873.5242 (press 4) • [hsptechsupport@honeywell.com](mailto:hsptechsupport@honeywell.com) • [www.millerfallprotection.com](http://www.millerfallprotection.com)

**⚠ WARNING!** THIS DOCUMENT PROVIDES AN OVERVIEW OF FALL PROTECTION PRODUCTS AVAILABLE FROM HONEYWELL AND CARE HAS BEEN TAKEN TO ASSURE THE ACCURACY OF THE DATA. IT DOES NOT PROVIDE IMPORTANT PRODUCT WARNINGS AND INSTRUCTIONS. HONEYWELL RECOMMENDS ALL USERS OF FALL PROTECTION EQUIPMENT UNDERGO THOROUGH TRAINING, AND THAT ALL WARNINGS AND INSTRUCTIONS PROVIDED WITH THE PRODUCTS BE THOROUGHLY READ AND UNDERSTOOD PRIOR TO EACH USE. FAILURE TO READ AND FOLLOW ALL PRODUCT WARNINGS AND INSTRUCTIONS COULD RESULT IN SERIOUS INJURY OR DEATH.

**MILLER**

by Honeywell