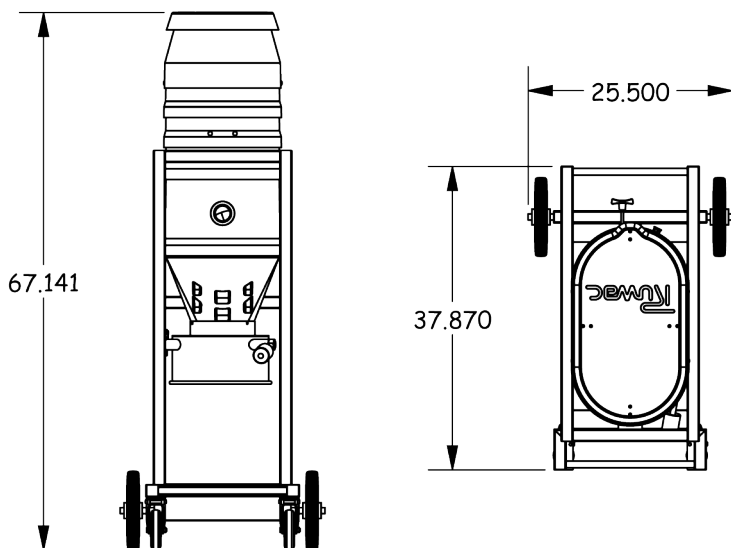


Direct Bagging Vacuum THE RED LINE WS2220-BV



WS2220-BV Standard Specifications

- Increases collection capacity and filter life
- Direct bagging feature allows for more efficient clean-up and minimal contact with contents
- Oversized internal drop out chamber with velocity break
- External gravity drop system for continuous discharge from storage hopper
- 1.6 Hp 1200 Watt Motor (Sound-supressed for quiet operation)
- 110 Volt, Single Phase, 60Hz, 12 Amps
- 13 ft² MicroClean Filter with Manual Shaker System
- 2" Inlet Connection with Aluminum Cast Deflector
- Standard "Acustek" motor
- Counterbalanced base with 3" Heavy Duty Double Casters
- Compression Cast Composite Modular Housing



Base Price: WS2220-BV - Call for Pricing

ADDER	DESCRIPTION
AR	28 ft ² MicroClean Filter with Manual Shaker ¹
BR	40 ft ² HEPA Filter with Minihelic ¹
35230R	Active Charcoal Filter Assembly, 20 lbs. of media ²
9852R	Motorized Filter Shaker with Switch, 110 Volt ²
18630R	Reverse Pulse with Electronics & Pressure Gauge ²
25143	Minihelic for Filter Monitoring ²
M	240 Volt, Single Phase Motor ¹