



For filters and cartridges see the cartridge selection guide

2000 & 3000 SERIES HALF MASK

Part No.	Description
1	260048 Headband and Yoke
2	260019 Exhalation Valve Seat
3	140005 Exhalation Valve Pack of 4
4	260018 Exhalation Valve Cover
5	140001 Inhalation Valve Pack of 6
6	140002 Cartridge Connector
7	140074 Filter Holder/Base Pack of 2
8	140079 Filter Retainer

BLUE 1 HALF MASK

Part No.	Description
1	140040 Headband and and Cradle
2	260019 Exhalation Valve Seat
3	140005 Exhalation Valve Pack of 4
4	260018 Exhalation Valve Cover
5	140001 Inhalation Valve Pack of 6
6	140002 Cartridge Connector
7	140074 Filter Holder/Base Pack of 2
8	140079 Filter Retainer
9	220054 Speaking Diaphragm Blue 1

For filters and cartridges see the cartridge selection guide



4000 SERIES FULL FACE MASK

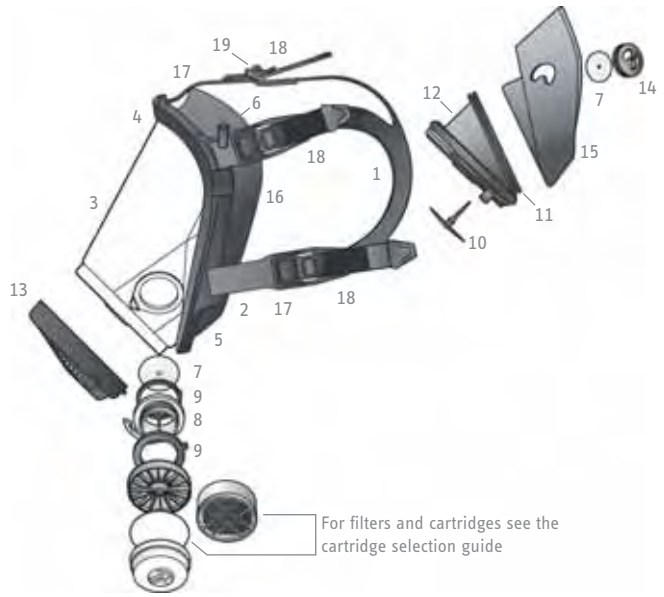
Part No.	Description
1	941723 Headstrap 4-pt
1	961094 Headstrap 5-pt
2	450002 Standard Skirt 4-pt
3	839102 Screw For Lens Retainer (2 req.)
4	941280 Lens Retainer (2 req.)
5	941802 Replacement Lens Polycarbonate Anti Scratch Coating (replaced part number 941712)
5	941230 Low-Maintenance Replacement Lens, No Anti-Scratch Coating
6	940135 Neck Strap
7	520039 Cover
8	955805 Screw for Cover (2 req.)
9	420020 Snap-on-Cap
10	140001 Inhalation Valve Pack of 6
11	140002 Cartridge Connector
12	420008 Grill
13	140079 Survivair Pre-Filter Retainer
14	941759 Speaking Diaphragm Assembly
15	820031 O-ring (speaking diaphragm)
16	980081 Nozzle
17	140003 Exhalation Valve
18	82401410 O-ring (cover) Pack of 10
19	82401410 O-ring (cover) Pack of 10
20	420117 Nose Cup Kit
21	962080 Air Valve
22	962090 Air Valve Holder
	140095 Clear Polyester Tear Off Covers (not shown)
	430000 Welding Lens Attachment for 4000 Series Shade 10 Lens (not shown)
	430005 Lower Protective bib for all Welding Shields (not shown)
	430010 Upperprotective Bib for all Welding Shields (not shown)
	980019 Speaking Diaphragm Removal Tool 4000 Series (not shown)



For filters and cartridges see the cartridge selection guide

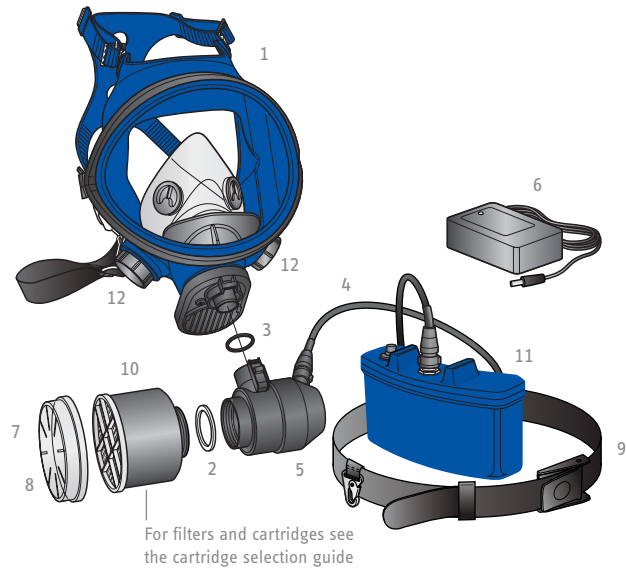
OPTIFIT FULL FACE MASK

Part No.	Description
1	702009 Headstrap
2	962157 Small Skirt
2	962167 Medium Skirt
2	962177 Large Skirt
3	702007 Replacement Lens Polycarbonate Anti Scratch Coating
4	962031 Upper Rim
5	962037 Lower Rim
6	839102 Screw For Lens Retainer (2 req.)
7	140001 Inhalation Valve Pack of 6
8	702035 Connector Threaded
9	702037 Twin Seal
10	140005 Exhalation Valve Pack of 4
11	820261 O Ring
12	702003 Nozzle
13	702004 Cover
14	962090 Air Valve Holder
15	702023 Nose Cup
16	702016 Short Buckle Strap TPE
17	702012 Long Buckle Strap TPE
18	702011 Buckle
702028	Survivair Clear Lens Tear Off Covers (not shown)



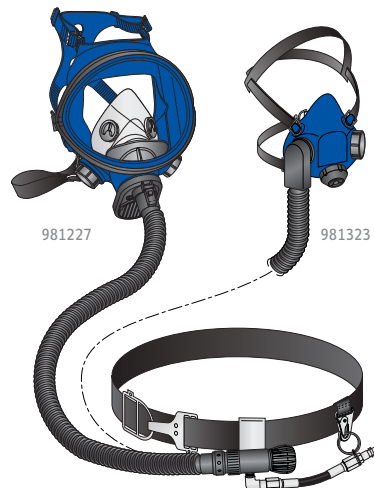
4000 SERIES PAPR

Part No.	Description
1	420010 4000 Series Blue Silicon Full Face Mask
2	520033 Blower Gasket
3	82401410 O-RING for breathing tube and mask mounted blower
4	520030 Replaceable Power Cord
5	520020 Blower Assembly
6	520073-AUST Battery Charger for Survivair PAPR
7	981177 Filter Shower Cap with holes
8	981178 Filter Shower Cap without holes
9	520050 Waist Belt
10	108000 P3 filter to suit Survivair PAPR (mask mounted)
11	520060 Battery Pack
12	985020 Threaded Cap (2 req)



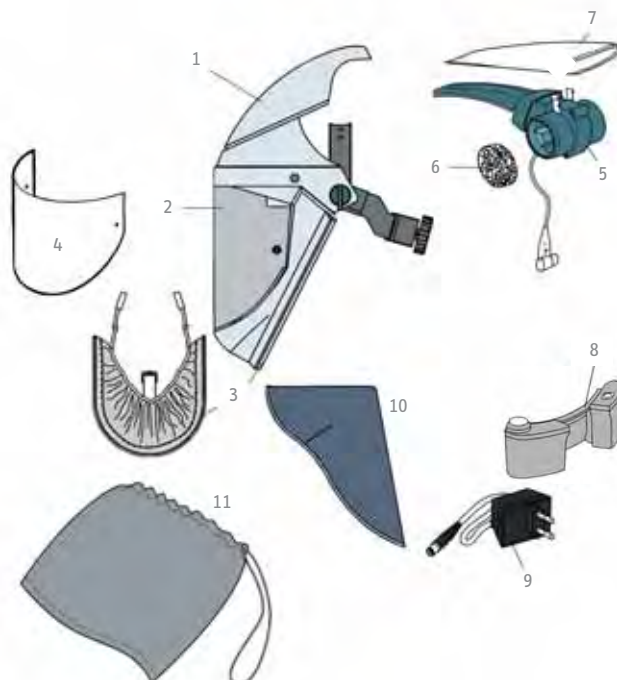
FULL FACE AND HALF FACE SAR

Part No.	Description
981227	Refer 4000 Series mask for spares
981323	Refer Blue 1 mask for spares




TURBOVISOR DTMV-0301 8 HOUR

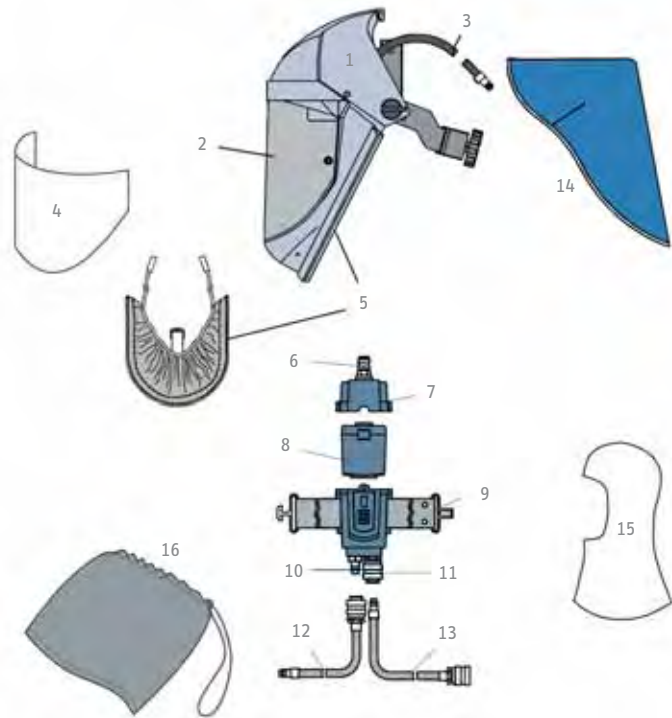
Part No.	Description
1	DTVS-1517 Browguard & Frame
2	DTVS-1503/5 Polycarbonate Visor Pack of 5
2	DTVS-1504/5 Clear Acetate Visor Pack of 5
3	DTVS-1514/5 Fabric cassette Pack of 5
3	DTVS-1513/5 Flame Retardant Fabric Cassette
4	DTVS-1507/10 Visor Cover pack of 10
4	DTVS-1508/50 Visor Cover pack of 50
5	DTVS-1506 Blower 8-Hour suits DTMV-0301 Turbovisor
6	DTVS-3170/10 Turbovisor Pre-Filter pack of 10
7	DTVR-TH2/2 Turbovisor P2 Main Filter pack of 2
7	DTVR-TH2-C Turbovisor A2 Odour Main Filter
8	DTVR-BP2 8-Hour Batter Pack Suits DTMV 0301 Turbovisor
9	DTMVR-CH5 Replacement 4-8 hour battery charger
10	DTVS-3072 Neck Cover
11	DAF-8083 Tyvek Storage Bag


TURBOVISOR DTMV-0302 6 HOUR

Part No.	Description
1	DTVS-1517 Browguard & Frame
2	DTVS-1503/5 Polycarbonate Visor Pack of 5
2	DTVS-1504/5 Clear Acetate Visor Pack of 5
3	DTVS-1514/5 Fabric cassette Pack of 5
3	DTVS-1513/5 Flame Retardant Fabric Cassette
4	DTVS-1507/10 Visor Cover pack of 10
4	DTVS-1508/50 Visor Cover pack of 50
5	DTVS-1505 Blower 6-Hour Suits DTMV-0302
6	DTVS-3170/10 Turbovisor Pre-Filter Pack of 10
7	DTVR-TH2/2 Turbovisor P2 Main Filter Pack of 2
7	DTVR-TH2-C Turbovisor A2 Odour Main Filter
8	DTVS-1511 6-Hour Batter Pack Suits DTMV-0302 Turbovisor
9	DTMVR-CH5 Replacement 4-8 hour battery charger
10	DTVS-3072 Neck Cover
11	DAF-8083 Tyvek Storage Bag

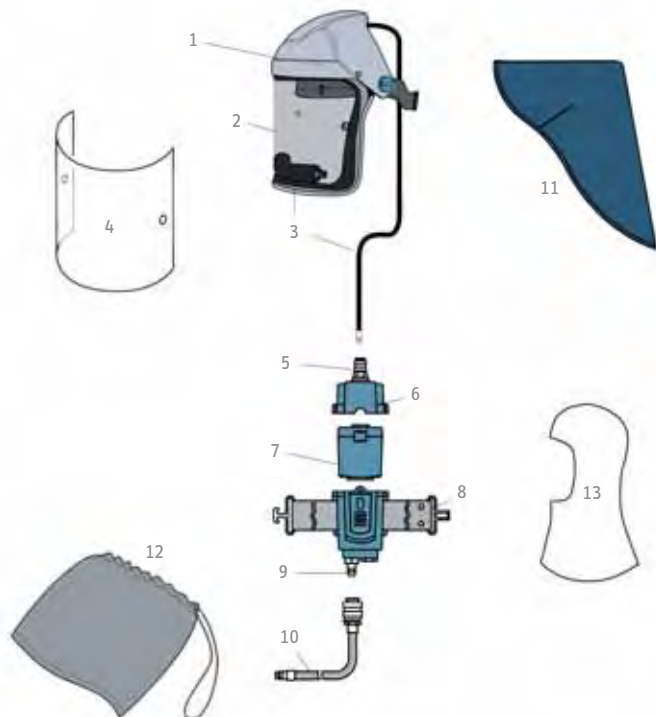
AIRVISORS DMAK-0201, DMAK-0202, DMAK-0203

Part No.	Description
1	DMAS-1603 Airvisor Browguard Frame
2	DTVS-1504/5 Clear Acetate Visor Pack of 5 (Suits DMAK-0201 & DMAK-0202)
2	DTVS-1503/5 Replacement Polycarbonate Visor Pack of 5 (Suits DMAK-0203)
3	DAVS-1407 Spare Air tube and Diffuser
4	DTVS-1507/10 Visor Covers pack of 10
4	DTVS-1508/50 Visor Covers pack of 50
5	DTVS-1514/5 Fabric cassette Pack of 5
6	DAF-6345 Airvisor Min QR Socket
7	DAVS-1405 Replacement Regulator Assembly (top housing of regulator)
8	DAVS-1404 Spare Carbon Cartridge for Waist belt regulator
9	DAVS-1406 Replacement Waist belt & bottom housing of Regulator
10	DAF-6265 Airvisor QR Plug
11	DAF-6350 Airvisor Standard QR Socket Double Action
11	DAF-3557 Blanking Plug for waistbelt regulator (replaces DAF-6350 if no air tool is running off regulator)
12	DHFE-0075 Willson BlueLine Hose 7.5m
12	DHFE-015 Willson BlueLine Hose 15m
13	DAVS-1418 Air Powered Tool Hose
14	DAVS-1408/5 Neck Cover Pack of 5
15	DAF-9257/5 Tyvek Hood Pack of 5
15	DAF-9257/10 Tyvek Hood Pack of 10
16	DAF-8083 Tyvek Storage Bag



AIRVISOR - AVK-0012

Part No.	Description
1	DAVS-1401 Airvisor Browguard
2	DAVS-1402 Polycarbonate Visor with foam seal
2	DAVS-1403 Acetate Visor with foam seal
3	DAVS-1407 Air tube and Diffuser
4	DAF-9222/10 Visor Cover Pack of 10
4	DAF-9220/50 Visor Cover Pack of 50
5	DAF-6345 Airvisor Min QR Socket
6	DAVS-1405 Replacement Regulator Assembly (top housing of regulator)
7	DAVS-1404 Spare Carbon Cartridge for Waist belt regulator
8	DAVS-1406 Replacement Waist belt & bottom housing of Regulator
9	DAF-6265 Airvisor QR Plug
10	DHFE-0075 Willson BlueLine Hose 7.5m
10	DHFE-015 Willson BlueLine Hose 15m
11	DAVS-1408/5 Neck Cover Pack of 5
12	DAF-8083 Tyvek Storage Bag
13	DAF-9257/5 Tyvek Hood Pack of 5
13	DAF-9257/10 Tyvek Hood Pack of 10




WILLSON CLEARFLOW FILTER SYSTEMS (PORTABLE STAND DCF-0155/T AND WALL MOUNTED DCF-0152/T)

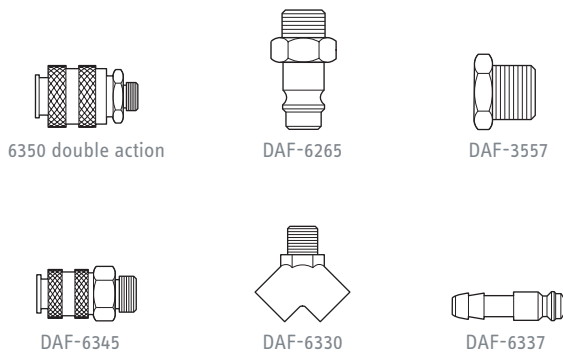
Part No.	Description
DCFS-0181	Willson Coalescing Filter Element for Clearflow Filter
DCFS-0182	Willson Carbon Element for Clearflow Filter
DAF-6330	Y Piece Connector with 1/4 BSP Male Thread and two 1/4 Female Outlets
DAF-6350	Standard QR Socket Double Action


WILKERSON CLEARFLOW FILTER SYSTEMS - UNIT SUPPLIED WITH DCF-100SPW SPRAY PAINTERS KIT

Part No.	Description
11.009	Wilkerson Coalescing Red Filter Element for Clearflow system
11.011	Wilkerson Carbon Element for Clearflow System
DAF-6330	Y Socket Piece Connector with 1/4 BSP Male Thread and two 1/4 Female Outlets
DAF-6350	Standard QR Socket Double Action

SPRAY PAINTERS KIT

Part No.	Description
Refer Spare Parts Listing for DMAK-0201	


AIRVISOR MV COUPLINGS AND FITTINGS

Part No.	Description
DAF-6350	High Flow Self Seal Standard Quick Release Socket. Double Action, with 1/4" BSP Male Thread
DAF-6265	High Flow Standard Quick Release Plug with 1/4" BSP Male Thread
DAF-3557	Blanking Plug with 1/4" BSP Male Thread (For Waistbelt Regulator)
DAF-6345	High Flow Self Seal Miniature Quick Release Socket with 1/4" BSP Male Thread
DAF-6330	Y piece Connector with 1/4" BSP Male Thread and two 1/4" Female outlets

BLUE LINE AIR HOSES FOR ALL AIRVISORS

Part No.	Description
DHFE-0035	Blueline Airhose 3.5m
DHFE-0075	Blueline Airhose 7.5m
DHFE-015	Blueline Airhose 15m
DHFE-030	Blueline Airhose 30m