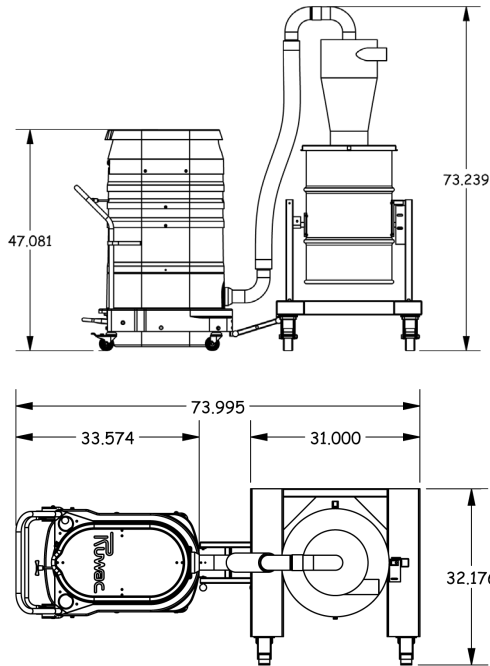




Vermiculite Removal System



Vermiculite Removal System Specifications

- Safely extracts insulation without construction materials or dangerous contaminants getting in your way
- Multifunctional versatility gives the Attic Vac purpose outside of insulation removal
- **WS2320-HD Portable Vacuum:** 220 Volt, Single Phase, 60Hz, 24 Amps, 11" Hg / 150 H2O" negative pressure, 300 CFM, 9 gallon foot-actuated dustpan, 3" Inlet Connection with Aluminum Cast Deflector
 - 28 ft² MicroClean Filter with Manual Shaker System
 - Compression Cast Composite Housing
 - Counterbalanced base with 3" Heavy Duty Double Casters
- **HEC-XT Pre-Separator:** 12" HEC, 10 gauge steel construction, 2.75" inlet, 55 Gallon Drum with tipping mechanism, equalizer kit for plastic bag disposal and 6" Heavy Duty Double Casters
- Also includes 3" x 50" Hose (#701450), (10) 55 Gallon heavy duty plastic bags (#970501) and an inlet connector (#7018-BL) Connector (#90437-BL)



Base Price: Attic Vac Vermiculite Removal System - Call for pricing

ADDER	DESCRIPTION
BR	40 ft ² HEPA Filter w/ Minihelic
L	Lifting Assembly
701450	3" x 50" Hose
9031Z6	3" ID Hose to Hose Chrome Steel Connector
970501	4 ml Plastic Bag Inserts for 55 Gal Drum (Sold Individually)
1302120	Extended Caster Assembly w/ two 6" Swivel & two 6" Rigid Casters w/ Brakes